

Powerful protection against corrosion

Renold Hydro-Service® Chain is specially coated to stand up to wet, humid, even saltwater operations. This chain lasts up to 30 times longer than conventionally coated chains without the risk of hydrogen embrittlement. If you need to run in wet environments, choose Hydro-Service®.

Safety Coated for Your Operation







All components of Hydro-Service® Chains are mechanically coated prior to assembly to provide complete coverage and protection to all vital surfaces, including the pin/bushing interface. Mechanical plating maintains the integrity of the chain without risking the embrittlement that conventional plating can cause.

Unlike conventional zinc or nickel platings, Hydro-Service® coating will not chip, flake, or peel. Unlike other coatings, Hydro-Service® contains no hexavalent chromium, a known carcinogen. Protect your processes and your people with Hydro-Service® Chains.

- Maximum corrosion resistance
- More than 30 times the corrosion protection compared with conventional surface treatments
- Same strength and working loads as carbon steel chains



Lab Tests Confirm Corrosion Protection

60-day Outdoor Exposure	14-day Saltwater Immersion Test	
		Hydro-Service®
		Nickel-Plated
		Carbon Steel
After 60 days of outdoor exposure, Hydro-Service® demonstrates the rust resistance that makes it the chain of choice.	After 14 days in and out of 5% saltwater solution (equivalent to sea water), Hydro-Service® clearly outlasts nickel-plated and carbon steel chain.	

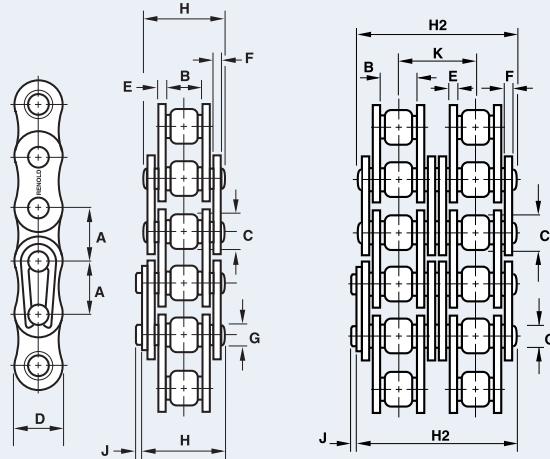
Put Hydro-Service® to Work

- Packaging
- Food processing
- Bottling
- Sea water environments
- Meat and poultry processing plants
- Vegetable processing plants
- Seafood processing plants
- Washdown equipment
- Outdoor applications

Hydro-Service®
Superior corrosion resistance for chains

Hydro-Service® Chain

Renold Hydro-Service® chains are treated with a mechanical zinc-plating process plus additional coatings for extra corrosion protection. This special coating offers corrosion resistance that is far superior to standard nickel or zinc plating and is ideal for wet, humid, saltwater, and other moisture-related applications. Hydro-Service® contains no hexavalent chromium, which means it is safe and environmentally friendly. All components are treated prior to assembly to achieve full coverage of all vital surfaces, which improves chain wear life and protects against corrosion-related pin and bush failures. This extremely durable coating will not chip or peel for long-term, exceptional corrosion protection.



Hydro-Service® ANSI Single-Strand Roller Chain

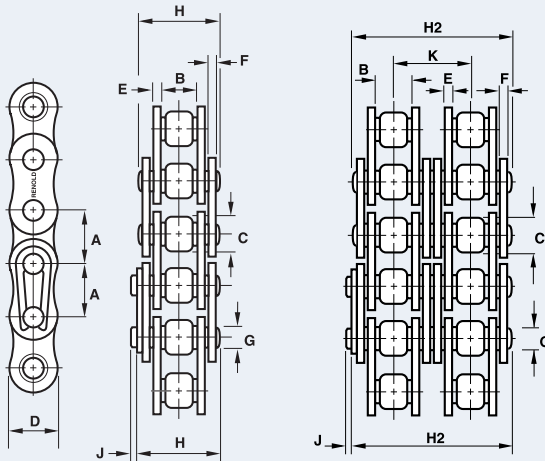
Dimensions are in inches unless otherwise indicated.

Chain No.	Pitch	Inside Width Min	Roller Diam Max	Plate Height Max	Inner Plate Thick Max	Outer Plate Thick Max	Pin Diam Max	Pin Length Max	Conn Link Extra Max	Trans Pitch	Tensile Strength Min	Rated Working Load	Weight
	A	B	C	D	E	F	G	H	J	K	Lbs	Lbs	Lbs/Ft
*35HSC	0.375	0.184	0.200	0.356	0.049	0.049	0.141	0.472	0.043	—	1,760	480	0.24
40HSC	0.500	0.309	0.312	0.475	0.061	0.061	0.157	0.646	0.055	—	3,125	810	0.40
50HSC	0.625	0.370	0.400	0.594	0.080	0.080	0.200	0.803	0.043	—	4,880	1,400	0.67
60HSC	0.750	0.495	0.469	0.713	0.094	0.094	0.235	0.996	0.043	—	7,030	1,950	0.99
80HSC	1.000	0.620	0.625	0.950	0.128	0.128	0.313	1.287	0.118	—	12,500	3,300	1.88
100HSC	1.250	0.744	0.750	1.188	0.160	0.160	0.376	1.563	0.165	—	19,530	5,060	2.82
120HSC	1.500	0.993	0.875	1.425	0.189	0.189	0.437	1.941	0.209	—	28,125	6,800	3.83
140HSC	1.750	0.993	1.000	1.663	0.221	0.221	0.500	2.083	0.205	—	38,280	9,000	5.24
160HSC	2.000	1.242	1.125	1.900	0.250	0.250	0.563	2.484	0.256	—	50,000	11,900	6.99

Hydro-Service® ANSI Double-Strand Roller Chain

Chain No.	Pitch	Inside Width Min	Roller Diam Max	Plate Height Max	Inner Plate Thick Max	Outer Plate Thick Max	Pin Diam Max	Pin Length Max	Conn Link Extra Max	Trans Pitch	Tensile Strength Min	Rated Working Load	Weight
	A	B	C	D	E	F	G	H2	J	K	Lbs	Lbs	Lbs/Ft
*35-2HSC	0.375	0.184	0.200	0.356	0.049	0.049	0.141	0.874	0.043	0.399	3,520	810	0.47
40-2HSC	0.500	0.309	0.312	0.475	0.061	0.061	0.157	1.213	0.055	0.566	6,250	1,370	0.81
50-2HSC	0.625	0.370	0.400	0.595	0.080	0.080	0.200	1.512	0.043	0.713	9,760	2,380	1.41
60-2HSC	0.750	0.495	0.469	0.713	0.094	0.094	0.235	1.894	0.043	0.897	14,060	3,315	2.05
80-2HSC	1.000	0.620	0.625	0.950	0.128	0.128	0.313	2.437	0.118	1.153	25,000	5,610	3.70
100-2HSC	1.250	0.744	0.750	1.188	0.160	0.160	0.376	2.968	0.165	1.408	39,060	8,600	5.64
120-2HSC	1.500	0.993	0.875	1.425	0.189	0.189	0.437	3.728	0.209	1.789	56,250	11,560	7.39
140-2HSC	1.750	0.993	1.000	1.663	0.221	0.221	0.500	4.008	0.205	1.924	76,560	15,300	10.41
160-2HSC	2.000	1.242	1.125	1.900	0.250	0.250	0.563	4.787	0.256	2.305	100,000	20,230	13.84

*Rollerless Chain



Hydro-Service® British Standard roller chain is made in accordance with ISO 606 B, BS 228, and DIN 8187 European standards. These chains resemble standard ANSI roller chains, but are dimensionally different and in general do NOT operate over standard ANSI sprockets. Hydro-Service® British Standard roller chains are made with the same unique features and incorporate all the design advantages of Hydro-Service® ANSI chains.

Hydro-Service® British Standard Single-Strand Roller Chain

Dimensions are in inches unless otherwise indicated.

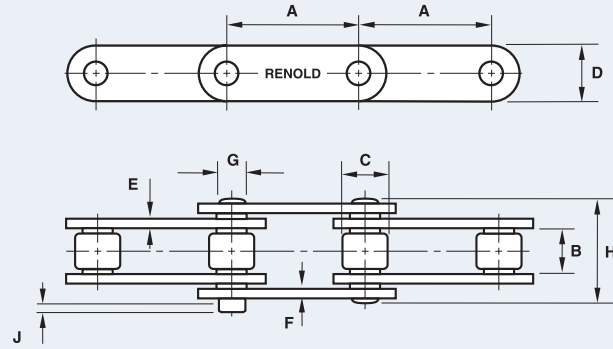
Chain No.	Pitch	Inside Width Min	Roller Diam Max	Plate Height Max	Inner Plate Thick Max	Outer Plate Thick Max	Pin Diam Max	Pin Length Max	Conn Link Extra Max	Trans Pitch	Tensile Strength Min	Rated Working Load	Weight
	A	B	C	D	E	F	G	H	J	K	Lbs	Lbs	Lbs/Ft
06BHSC	0.375	0.225	0.250	0.325	0.051	0.041	0.129	0.492	0.051	—	2,001	395	0.26
08BHSC	0.500	0.305	0.335	0.465	0.061	0.061	0.175	0.669	0.059	—	4,002	700	0.47
10BHSC	0.625	0.380	0.400	0.580	0.061	0.061	0.200	0.740	0.051	—	4,991	1,100	0.62
12BHSC	0.750	0.460	0.475	0.635	0.071	0.071	0.225	0.862	0.043	—	6,497	1,575	0.81
16BHSC	1.000	0.670	0.625	0.830	0.162	0.122	0.326	1.374	0.087	—	13,489	2,810	1.88
20BHSC	1.250	0.770	0.750	1.040	0.182	0.142	0.401	1.567	0.106	—	21,357	4,370	2.59
24BHSC	1.500	1.000	1.000	1.315	0.240	0.200	0.576	2.071	0.268	—	35,970	6,130	5.01

Hydro-Service® British Standard Double-Strand Roller Chain

Chain No.	Pitch	Inside Width Min	Roller Diam Max	Plate Height Max	Inner Plate Thick Max	Outer Plate Thick Max	Pin Diam Max	Pin Length Max	Conn Link Extra Max	Trans Pitch	Tensile Strength Min	Rated Working Load	Weight
	A	B	C	D	E	F	G	H2	J	K	Lbs	Lbs	Lbs/Ft
06B-2HSC	0.375	0.225	0.250	0.325	0.051	0.041	0.129	0.906	0.051	0.403	3,800	670	0.50
08B-2HSC	0.500	0.305	0.335	0.465	0.061	0.061	0.175	1.197	0.059	0.548	6,992	1,185	0.93
10B-2HSC	0.625	0.380	0.400	0.580	0.061	0.061	0.200	1.394	0.051	0.653	10,004	1,870	1.21
12B-2HSC	0.750	0.460	0.475	0.635	0.071	0.071	0.225	1.630	0.043	0.766	12,994	2,680	1.61
16B-2HSC	1.000	0.670	0.625	0.830	0.162	0.122	0.326	2.630	0.087	1.255	23,830	4,780	3.69
20B-2HSC	1.250	0.770	0.750	1.040	0.182	0.142	0.401	3.020	0.106	1.435	38,218	7,430	5.23
24B-2HSC	1.500	1.000	1.000	1.315	0.240	0.200	0.576	3.988	0.268	1.904	62,946	10,270	9.92

4 Hydro-Service® Chain

Hydro-Service® Double Pitch conveyor chains are ideally suited for light- to medium-duty applications that require superior corrosion protection, such as in wet, humid, saltwater, and other moisture-related applications. These chains are available in the C2000 (standard roller) and C2002 (large roller) series. C2000 series link plates are straight and unbeveled and the construction of the roller and link plates are identical to improve sliding wear properties. C2002 series chains have large (oversize) rollers that minimize friction across the supporting surface to reduce wear and power requirements in heavier-duty applications.



Hydro-Service® Double Pitch Conveyor Series Chain — Standard Roller

Chain No.	Pitch	Inside Width Min	Roller Diam Max	Plate Height Max	Inner Plate Thick Max	Outer Plate Thick Max	Pin Diam Max	Pin Length Max	Conn Link Extra Max	Trans Pitch	Tensile Strength Min	Rated Working Load	Weight
	A	B	C	D	E	F	G	H	J	K	Lbs	Lbs	Lbs/Ft
C2040HSC	1.000	0.309	0.312	0.465	0.059	0.059	0.157	0.701	0.055	—	3,125	810	0.34
C2050HSC	1.250	0.370	0.400	0.591	0.079	0.079	0.200	0.858	0.043	—	4,880	1,400	0.56
C2060HSC	1.500	0.495	0.469	0.701	0.128	0.128	0.235	1.126	0.043	—	7,030	2,200	0.97
C2080HSC	2.000	0.620	0.625	0.949	0.160	0.160	0.313	1.409	0.118	—	12,500	3,600	1.63
C2100HSC	2.500	0.748	0.750	1.134	0.189	0.189	0.376	1.669	0.165	—	19,530	5,500	2.33
C2120HSC	3.000	1.000	0.875	1.382	0.221	0.221	0.437	2.063	0.209	—	28,125	7,300	3.31
C2160HSC	4.000	1.240	1.125	1.886	0.287	0.287	0.563	2.583	0.256	—	50,000	12,600	5.38

Hydro-Service® Double Pitch Conveyor Series Chain — Large Roller

Chain No.	Pitch	Inside Width Min	Roller Diam Max	Plate Height Max	Inner Plate Thick Max	Outer Plate Thick Max	Pin Diam Max	Pin Length Max	Conn Link Extra Max	Trans Pitch	Tensile Strength Min	Rated Working Load	Weight
	A	B	C	D	E	F	G	H	J	K	Lbs	Lbs	Lbs/Ft
C2042HSC	1.000	0.309	0.625	0.465	0.059	0.059	0.157	0.701	0.055	—	3,125	810	0.55
C2052HSC	1.250	0.370	0.750	0.591	0.079	0.079	0.200	0.858	0.043	—	4,880	1,400	0.85
C2062HSC	1.500	0.495	0.875	0.701	0.128	0.128	0.235	1.126	0.043	—	7,030	2,200	1.36
C2082HSC	2.000	0.620	1.125	0.949	0.160	0.160	0.313	1.409	0.118	—	12,500	3,600	2.26
C2102HSC	2.500	0.748	1.562	1.134	0.189	0.189	0.376	1.669	0.165	—	19,530	5,500	3.80
C2122HSC	3.000	1.000	1.750	1.382	0.221	0.221	0.437	2.063	0.209	—	28,125	7,300	5.31
C2162HSC	4.000	1.240	2.250	1.886	0.287	0.287	0.563	2.583	0.256	—	50,000	12,600	8.60

Dimensions are in inches unless otherwise indicated.