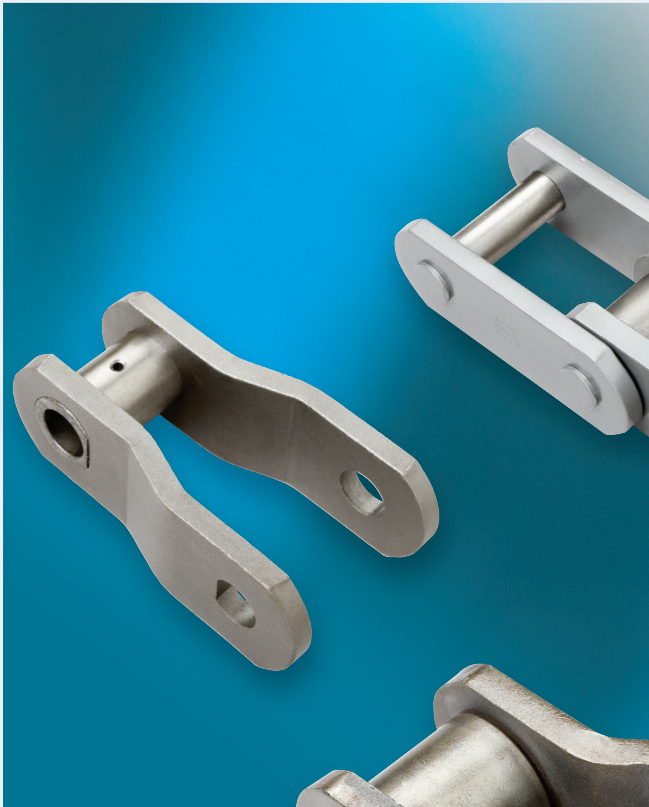


Engineering Class Drive Chain

Renold Jeffrey Engineering Class Drive Chains run some of the most demanding applications in the world. These hard-working chains are found in construction, mining, and power transmission equipment.

You'll find our drive chains on power shovels, cranes, elevators, debarking/mixing drums, machine tools, and many other applications. The reason is simple. These chains are built to perform. Drive chain components are proportioned to provide a well-balanced design, ensuring maximum strength and minimum weight.

Count on Renold Jeffrey to deliver plenty of reserve strength to handle day-to-day operations as well as to stand up to high shock loads.



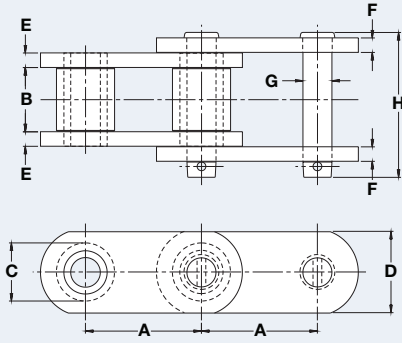
Bushings are machined from solid steel or formed from cold drawn steel and then securely locked by press fits. This ensures that wear is limited to the hard surfaces, extending the life of the chain.

Sidebar are accurately pitched. Holes are punched and shaved to ensure full, firm, and rigid bearing seats for bushings and pins.

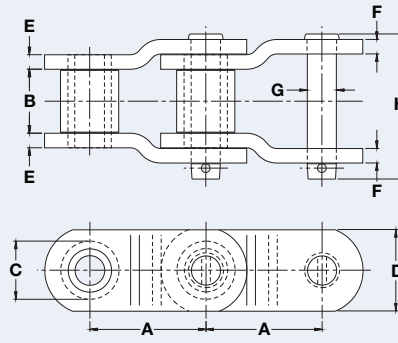
Solid-steel, heat-treated pins increase the wear life of the chain.

Rollers are made from solid cold-rolled steel and have accurately machined bores.

1.6 – 3.5



Style S (Straight Sidebar)



Style O (Offset Sidebar)

Engineering Class Drive Chain — 1.654 to 3.500 Pitch

Dimensions are in inches unless otherwise indicated.

Chain No.	Sidebar Style	Pitch	Inner Width Max	Roller/Bushing Diam Max	Plate Height Max	Inner Plate Thick Max	Outer Plate Thick Max	Pin Diam Max	Pin Length Max	Average Ultimate Strength	Rated Working Load	Weight
		A	B	C	D	E	F	G	H	Lbs	Lbs	Lbs/Ft
362R	O	1.654	1.000	0.813	1.125	0.125	0.125	0.375	1.910	7,000	1,640	2.80
IS622	O	1.654	1.000	0.875	1.125	0.188	0.188	0.438	2.219	20,000	2,110	3.50
IS2059	O	2.000	1.250	1.125	1.625	0.250	0.250	0.563	2.813	59,000	3,400	7.00
IS2065R	O	2.000	1.250	1.125	1.625	0.313	0.313	0.593	3.188	68,000	3,900	7.60
1094C	O	2.300	0.781	0.750	1.125	0.188	0.188	0.375	1.910	16,500	1,500	2.71
IS2570A	O	2.500	1.500	1.250	1.750	0.310	0.310	0.625	3.360	71,000	4,650	8.70
1625A	O	2.500	1.500	1.563	2.313	0.310	0.310	0.781	3.438	95,000	5,800	6.90
JS882	O	2.609	1.125	0.875	1.125	0.250	0.250	0.438	2.560	26,000	2,500	3.60
JS3011	O	3.067	1.563	1.625	2.250	0.375	0.375	0.750	3.750	113,000	6,100	13.10
JS1031	O	3.075	1.500	1.250	1.625	0.313	0.313	0.625	3.360	48,000	4,650	7.00
3706 ^A	O	3.075	2.190	1.750	2.000	0.375	0.375	0.875	4.520	70,000	9,000	14.10
JS3075	O	3.075	1.500	1.250	1.750	0.375	0.375	0.650	3.660	73,000	5,100	9.00
3125	O	3.125	1.625	1.625	2.250	0.375	0.375	0.800	3.860	115,000	6,800	12.70
IS3514J	O	3.500	1.500	1.750	2.250	0.500	0.500	0.875	4.325	140,000	7,700	17.30

^A Asphalt Drum Drive

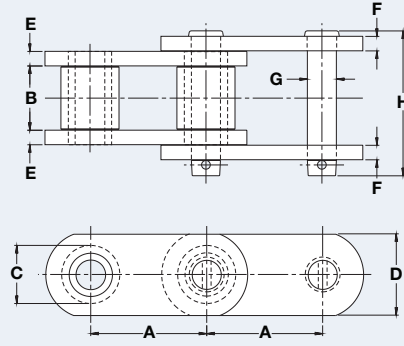
^D Debarking Drum Drive

^S Steel Bushed/Knuckle Chain

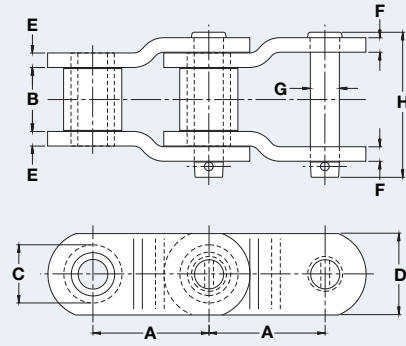
See p. 242–248 for selection guidelines.

Engineering Class Drive Chain

4.0 – 7.0



Style S (Straight Sidebar)



Style O (Offset Sidebar)

Engineering Class Drive Chain — 4.000 to 7.000 Pitch

Dimensions are in inches unless otherwise indicated.

Chain No.	Sidebar Style	Pitch	Inner Width Max	Roller/Bushing Diam Max	Plate Height Max	Inner Plate Thick Max	Outer Plate Thick Max	Pin Diam Max	Pin Length Max	Average Ultimate Strength	Rated Working Load	Weight
		A	B	C	D	E	F	G	H	Lbs	Lbs	Lbs/Ft
4414PB ^A	O	4.000	2.750	2.250	2.750	0.500	0.500	1.250	5.891	116,000	16,000	25.00
JS4106	O	4.063	1.940	1.750	2.250	0.500	0.500	0.875	4.719	70,000	9,000	15.80
JS4110	O	4.063	1.940	1.750	2.250	0.500	0.500	0.875	4.703	120,000	9,000	15.80
JS4014	O	4.063	1.938	1.750	2.250	0.500	0.500	0.875	4.703	140,000	9,000	15.40
JS1245A	O	4.073	1.940	1.781	2.375	0.563	0.563	0.940	5.060	170,000	10,000	18.70
IS4121	O	4.090	1.940	1.875	2.750	0.560	0.560	1.000	5.078	217,000	12,100	24.00
3353A ^A	S	4.090	2.250	2.625	3.500	0.625	0.625	1.313	5.719	230,000	16,000	35.10
IS4522	O	4.500	2.063	2.250	3.000	0.560	0.560	1.100	5.310	220,000	12,300	25.00
JS5031	O	5.000	2.750	2.500	3.500	0.625	0.625	1.250	6.234	280,000	17,500	33.72
1605AAA	O	5.000	2.563	2.500	3.500	0.750	0.750	1.375	6.500	350,000	19,600	43.50
JS5542R	O	5.500	3.000	3.000	4.000	0.750	0.750	1.500	7.190	420,000	23,700	48.30
6877RS ^{DS}	O	6.000	2.250	2.000	3.250	0.620	0.620	1.320	5.940	180,000	18,400	27.30
JS6042R	O	6.000	3.000	3.000	4.000	0.750	0.750	1.500	7.190	420,000	23,700	46.80
6056 ^D	S	6.000	3.250	3.500	5.000	0.875	0.875	1.750	7.940	550,000	30,000	72.00
6755A ^{DS}	S	6.000	3.250	2.940	4.500	0.875	0.875	1.750	7.940	550,000	35,000	56.40
6065A ^S	O	6.000	3.000	3.000	4.750	0.750	0.750	1.748	7.172	600,000	27,600	54.80
JS6555	O	6.500	3.250	3.500	5.000	0.875	0.875	1.748	7.938	600,000	30,500	66.00
6735RR ^{DS}	O	7.000	2.750	2.620	4.000	0.750	0.750	1.620	7.030	350,000	28,000	38.00
6772A ^{DS}	O	7.000	4.000	3.250	5.000	0.875	0.875	2.000	8.781	490,000	46,000	65.10
JS7055	O	7.000	3.250	3.500	5.000	0.875	0.875	1.750	8.000	600,000	30,500	65.00
7080FR ^D	S	7.000	3.250	4.500	6.000	0.875	0.875	2.120	8.060	800,000	48,000	66.00

^A Asphalt Drum Drive
^D Debarking Drum Drive
^S Steel Bushed/Knuckle Chain

See p. 242–248 for selection guidelines.